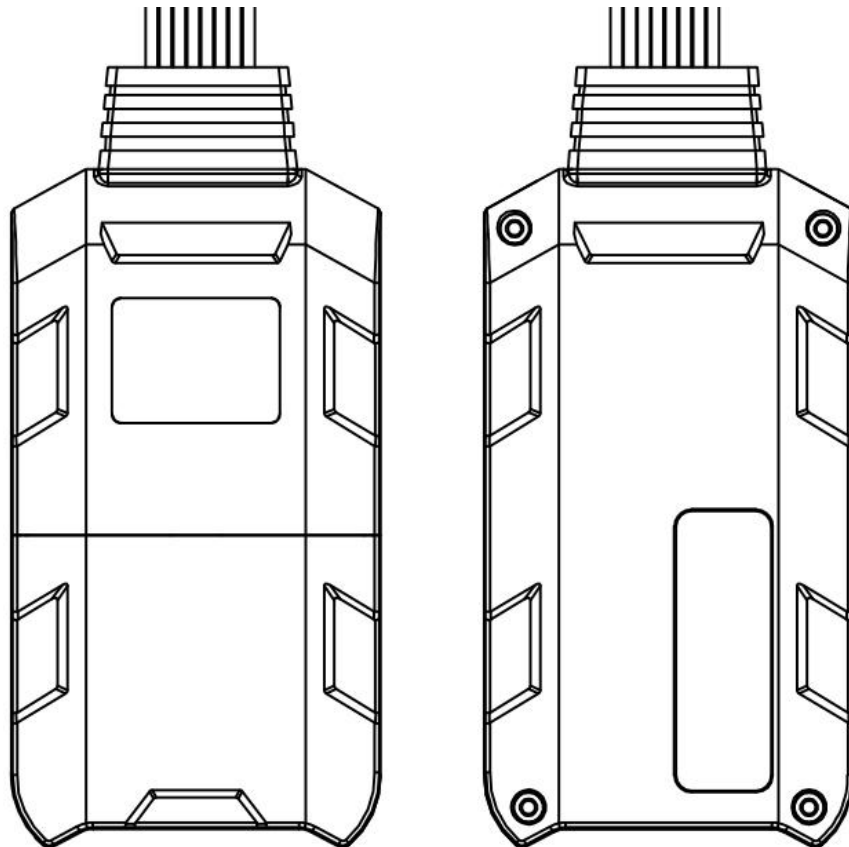


QUICK TOUR

Accurate Tracking | Easy Installation



Please carefully read the user guide before use in order to quickly get the right to operate. Product appearance, color and accessories are subject to change without prior notice in this manual!

① Functions and Product parameters

② ◆ Real-time tracking ◆ One way communication

③ ◆ Vibration/Displacement/Low battery/Power off/over speed alert

④ ◆ SOS ◆ ACC detection ◆ Geo-fence

⑤ ◆ History Route ◆ Cut and resume oil remotely ◆ AGPS/LBS/GLONASS

Frequency	GSM 850/900/1800/1900MHz
Networks	GSM/GPRS
Backup Battery	3.7V 110mAh
Operating voltage	10-100V
Location time	Cold start 35s-80s Hot start 1s
Location accuracy	5 meters
Operating temperature	-20℃~+55℃
Dimension	75*40*15mm
Weight	40g

⑥ LED Indicator Definition

Green Indicator: GPRS

Status of indicator	Meaning
Flash	GSM/GPRS conversation start
Continuously in bright status	No GPRS signal
Green Led off	Power off or in sleep mode

Blue Indicator: GPS

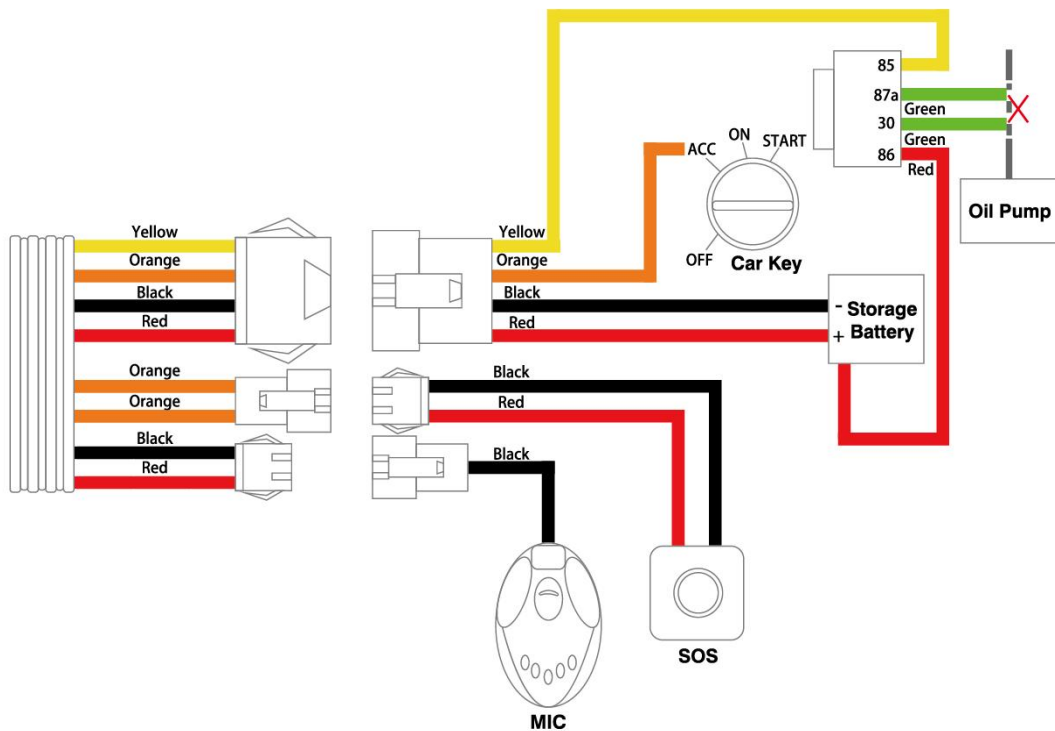
Status of indicator	Meaning
Flash	GPS location successful
Continuously in bright status	GPS signal searching
Blue led off	Power off or in sleep mode

Red Indicator: Power charge

Status of indicator	Meaning
Continuously in bright status	charging
Red led off	Full battery or charged full

NOTE: When the equipment in power saving sleep mode, the light will turn off after about 10 minutes(settable) without any operation.

⑦ Start up



a, Open the cover, Insert a micro SIM card support GSM/GPRS network into the slot and make sure the chip side is down.

b, Connect power cable and relay follow above picture.

c, Set admin number, by sending a SMS command to the SIM card inside device.

For example: admin123456 +86186***** (+86186***** should be your phone number)

d, Set APN: APN123456 CMNET (please use your local APN instead of CMNET, if you do not know the APN content, you should contact your SIM card supplier)

⑧ More Commands

Function	Command Format	Reply	Delete	for example
APN	apn+123456+space+content	apn ok		apn123456 cmnet
	apnuser+123456+space+content	apnuser ok		
	apnpasswd+123456+space+content	apnpasswd ok		
admin number	admin123456+space+admin phone number	admin ok	noadmin 123456	admin123456 186*****
time zone	timezone+123456+space+GMT No.	timezone ok		timezone123456 +1
time sleep	sleep123456 time	sleep time ok		
shock sleep(default)	sleep123456 shock	sleep shock ok		
no sleep	sleep123456 off	sleep off ok		
upload frequency	upload123456+space+time	upload ok		upload123456 10
Voice monitor	Monitor123456	Monitor OK	Tracker1 23456	
SOS	SOS,phone1 number,phone2 number	SOS! S1: S2:	sos,,	SOS,186*****,189*****
Cut and resume oil	555	Cut oil OK	666	
Arm&Disarm	111 or SF	Arm delay in 0s	000 or CF	
Position	G123456# or where	Google map		
Restart	rst	restart ok		
Back to factory	format	No reply		

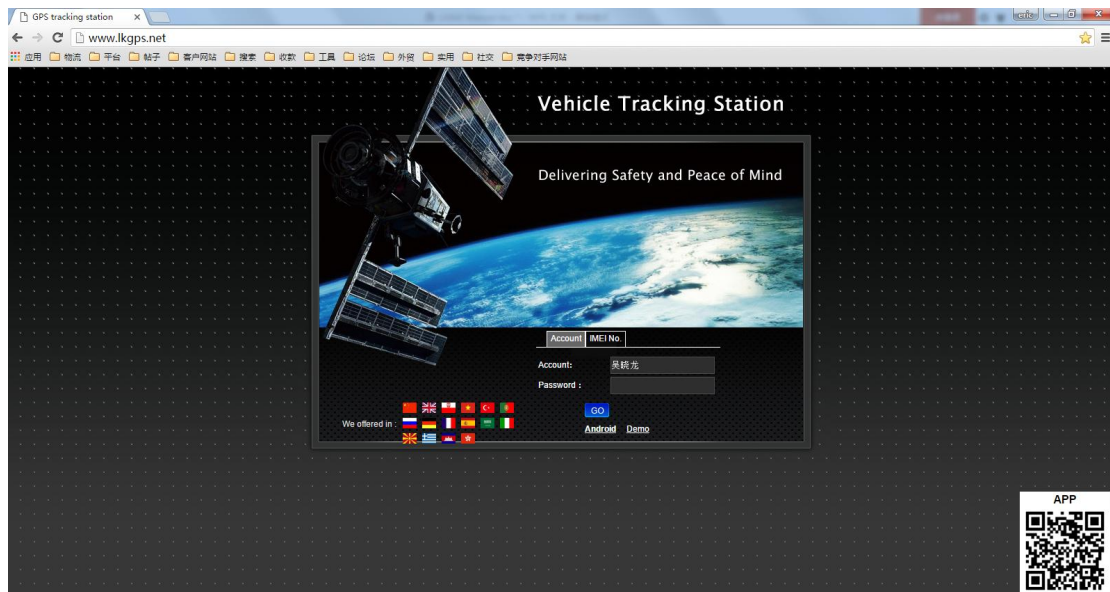
⑨ **Download phone APP**



Method 1: Scan above QR to download;

Method 2: search “LKGPS2” in the app store or Google play store to download.

⑩ Log in by website and phone APP

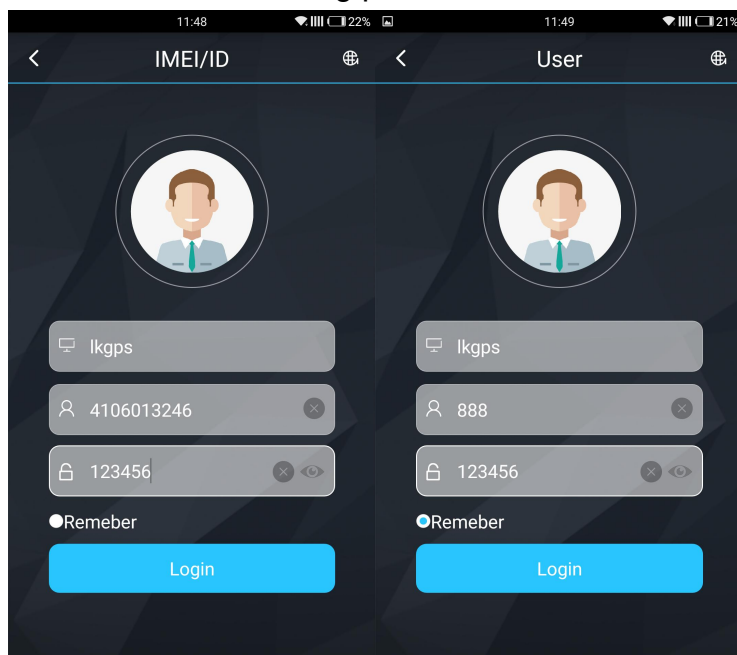


Log in by Website:

Open the website www.lkgps.net , choose IMEI, enter the 10-digit bar code of the device, the default password is 123456, click “GO” to log in into the platform.

Log in by Phone APP:

Please see the following photo:



⑪ **Faults & The solutions**

Q: Start up Fail?

A: Check the cable connect right or not.

Q: The device can not obtain location information?

A: Place the unit at the open area to test.

Q: How to choose SIM card?

A: the SIM card must support GSM&GPRS, and ensure that the card has enough currency and credit.

Q: How to use in the foreign countries?

A: please set the APN before use, please edit the text "APN123456 CMNET " and send it to the SIM card of the device, CMNET is Chinese operator's APN, Replace the corresponding APN when use in other countries, APN details, please consult your local SIM card carrier.

⑫ Cautions

Please comply with the instructions to extend the unit life:

1. Keep the unit dry. Any liquid, i.e. rain, moisture, may destroy or damage the inside circuitry.
2. Don't use & store the unit in dusty places.
3. Don't put the unit in overheated or over cooled places.
4. Handle carefully. Don't vibrate or shake it violently.
5. Clear the unit with a piece of dry cloth. Don't clean in chemicals, detergent.
6. Don't paint the unit, this may cause some foreign materials left in between the parts.
7. Don't disassemble or refit the unit.
8. Please use the battery and charger provided by manufacturer.
Using other batteries and chargers will cause unwanted situation.